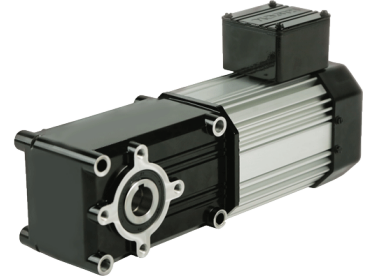


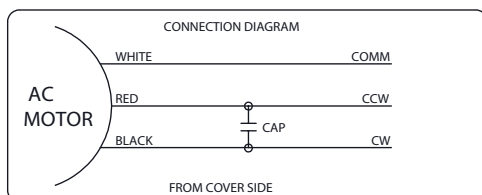
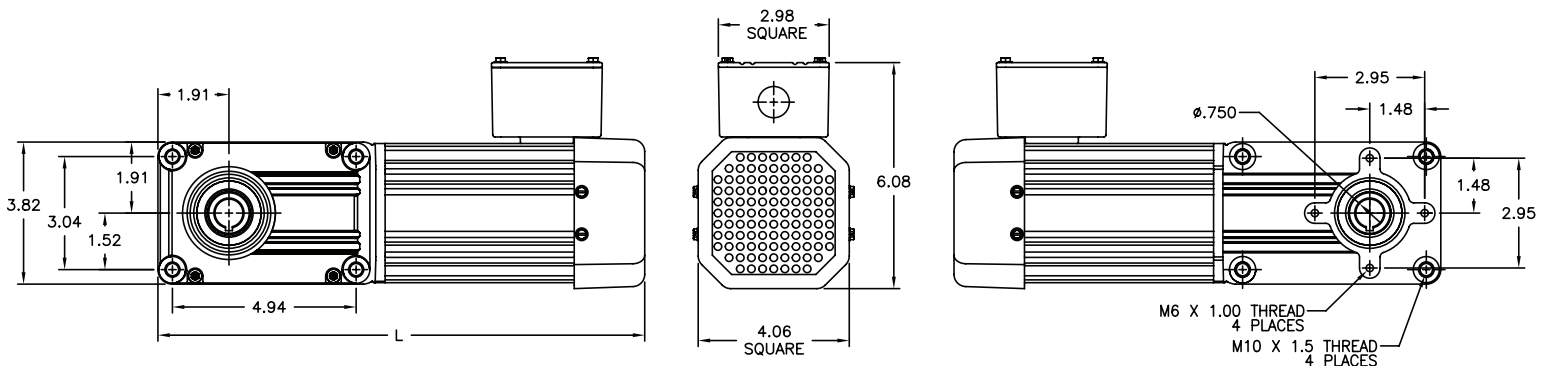
PowerSTAR® 720 Series 115V single phase right-angle gearmotor offers up to 470 in-lbs of torque running continuously in a sleek, compact profile.



#### 720 Series 1PH 115V - TEFC\*

Part Number	Speed (RPM)	Torque (in-lbs)	Input HP	Gear Ratio	OHL (lbs)	Rated Current 115V (Amps)	Hz
026-720A0010	168	35	1/8	10	270	1.85	60
026-720A0015	112	55	1/8	15	305	1.85	60
026-720A0020	84	73	1/8	20	330	1.85	60
026-720A0030	56	105	1/8	30	370	1.85	60
026-720A0040	42	145	1/8	40	400	1.85	60
026-720A0050	34	180	1/8	50	430	1.85	60
026-720A0060	28	220	1/8	60	455	1.85	60
026-720A0080	21	295	1/8	80	490	1.85	60
026-720A0100	17	365	1/8	100	525	1.85	60
026-720A0120	14	440	1/8	120	550	1.85	60
026-720A0150	11	295	1/15	150	635	1.0	60
026-720A0180	9.3	355	1/15	180	670	1.0	60
026-720A0240	7.0	470	1/15	240	725	1.0	60

\*Capacitors required - offered separately. See accessories on page 17



L  
L = Gearmotor length:  
1/8 HP: 14.84  
1/15 HP: 13.09